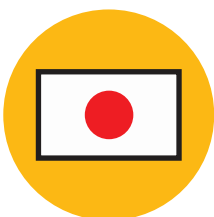
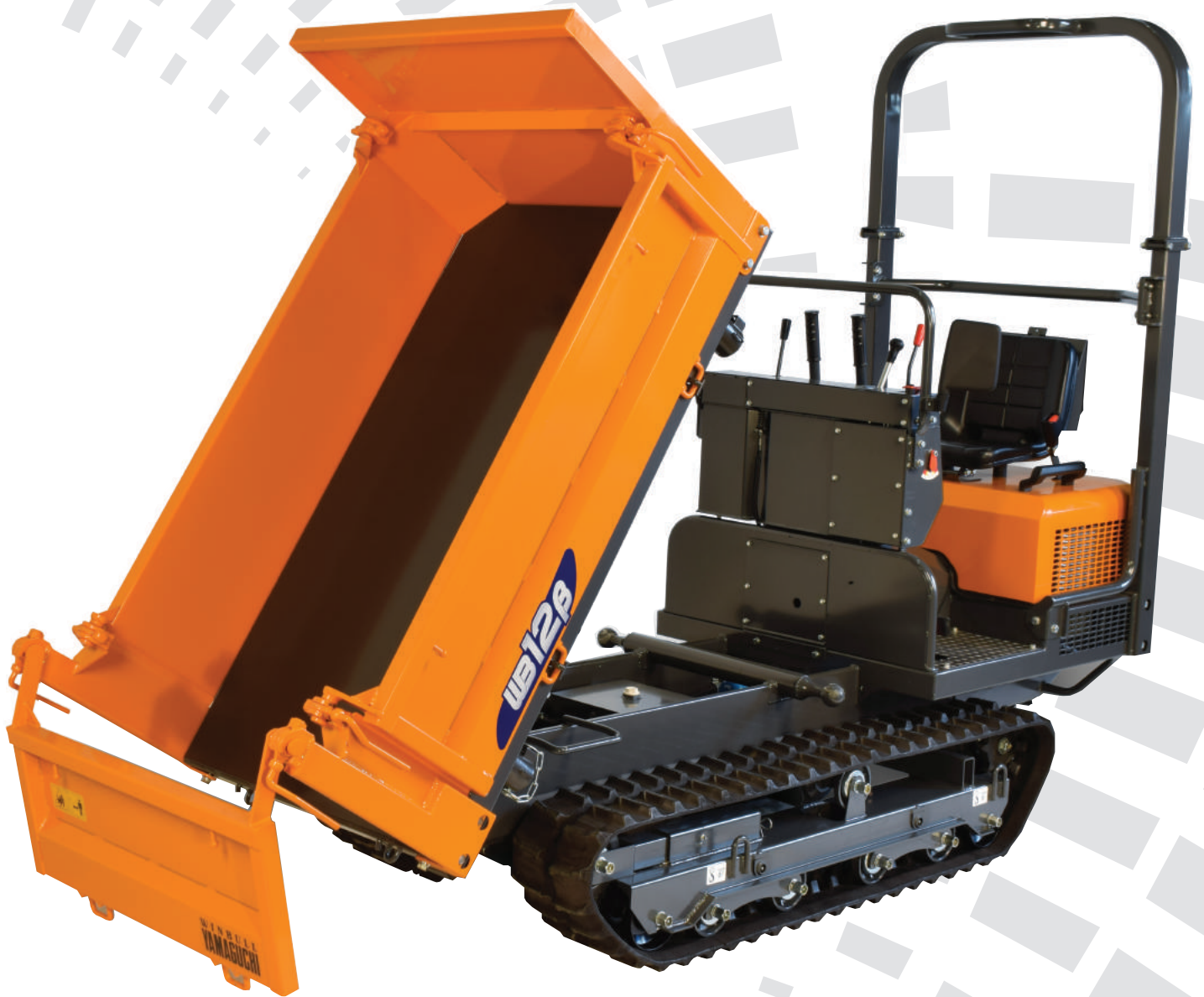


WB12 TRACKDUMPER

by **YAMAGUCHI**



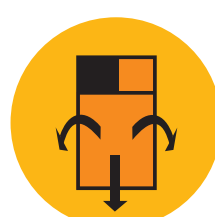
MADE IN JAPAN



PAYLOAD



KUBOTA DIESEL



3 WAY TIP



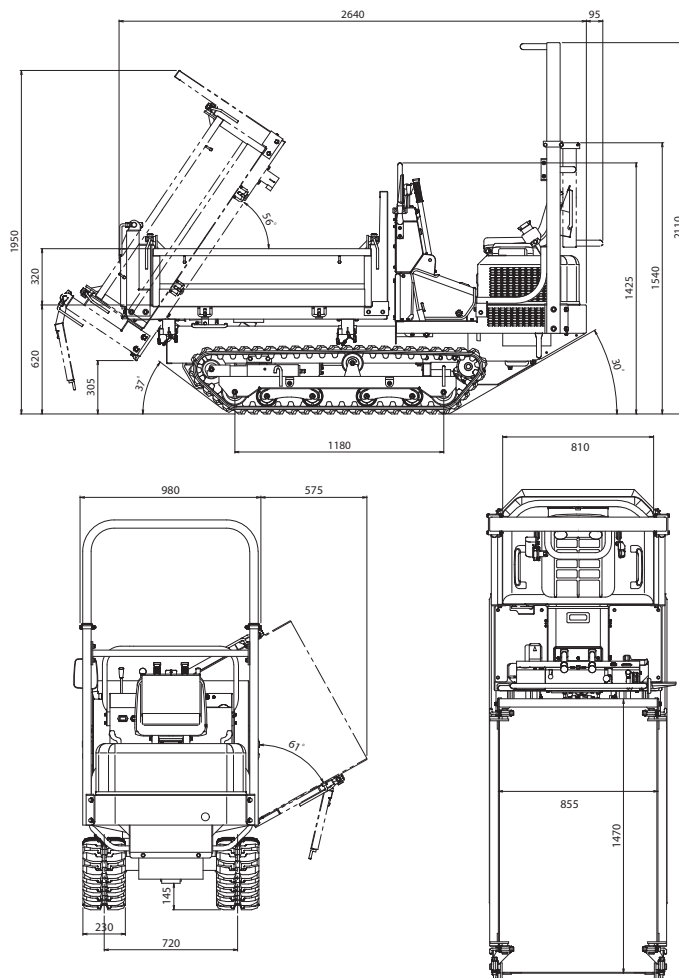
980mm WIDE

Specifications

Make	TrackDumper by Yamaguchi
Model	WB12
Payload	1200kg
Unladen Weight	885kg
Maximum Speed	6.9 KPH / 4.28 MPH
Engine Make & Model	Kubota Z482
Engine Type	Two cylinder liquid cooled diesel
Engine Power	9.5 KW / 12.91 HP
Ground Pressure Empty	16.61 KPA / 2.41 PSI
Ground Clearance	145 mm
Fuel Type	Diesel

WB12 TRACKDUMPER

by YAMAGUCHI



Dimensions

Overall Length	2640 mm
Overall Width	980 mm
Overall Height	2110 mm / 1540mm with ROPS folded
Track Centres	720 mm
Track Width	230 mm
Dump Body Length Internal	1470 mm
Dump Body Width Internal	855 mm

